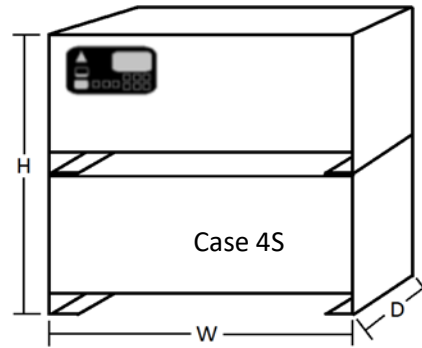
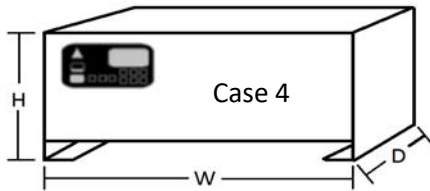


Catalogue Number	Max DC Volts	Max Start Amps Out	Max AC Amp Draw	Approximate Ship Weight
			480	
CA24-510-34FC	24	204	8	119
CA24-550-34FC	24	220	9	119
CA24-600-34FC	24	240	10	141
CA24-765-34FC	24	306	12	148
CA24-880-34FC	24	352	14	148
CA24-1050-34FC	24	420	17	161
CA36-510-34FC	36	204	12	124
CA36-550-34FC	36	220	13	124
CA36-600-34FC	36	240	14	141
CA36-765-34FC	36	306	18	148
CA36-880-34FC	36	352	20	161
CA36-1050-34FC	36	420	26	161
CA36-1235-34SFC	36	495	30	295
CA36-1500-34SFC	36	600	37	300
CA48-510-34FC	48	204	16	141
CA48-600-34FC	48	240	19	144
CA48-765-34FC	48	306	24	148
CA48-825-34FC	48	330	26	148
CA48-1000-34SFC	48	400	34	295
CA48-1235-34SFC	48	495	42	295
CA48-1500-34SFC	48	600	51	350
CA80-500-34FC	80	200	26	157
CA80-750-34SFC	80	300	39	270
CA80-1000-34SFC	80	400	52	320

All standard SB connectors included in price, SB50, SB175, SB350

- All prices are FOB, our facility, Troy OH, freight allowed
- Shipments to Canada, Mexico, Alaska, Hawaii, and Puerto Rico are subject to export policy
- Terms are net 30 days
- Specifications and Pricing are subject to change without notice.



Case	H	W	D
4	14"	23"	24.5"
4S	28"	23"	27"